

# Product specification



**truck chassis 6x4, LHD**

**series**

**FAT CF75.250 FAT CF75.310**

**FAT CF75.360**

**GVW max. 27000 kg**

Engine

PE 183 / PE 228 / PE 265

Gross Combination Weight<sup>1)</sup>

Euro 3 version  
up to 40 tonnes

**Weights in kilograms**

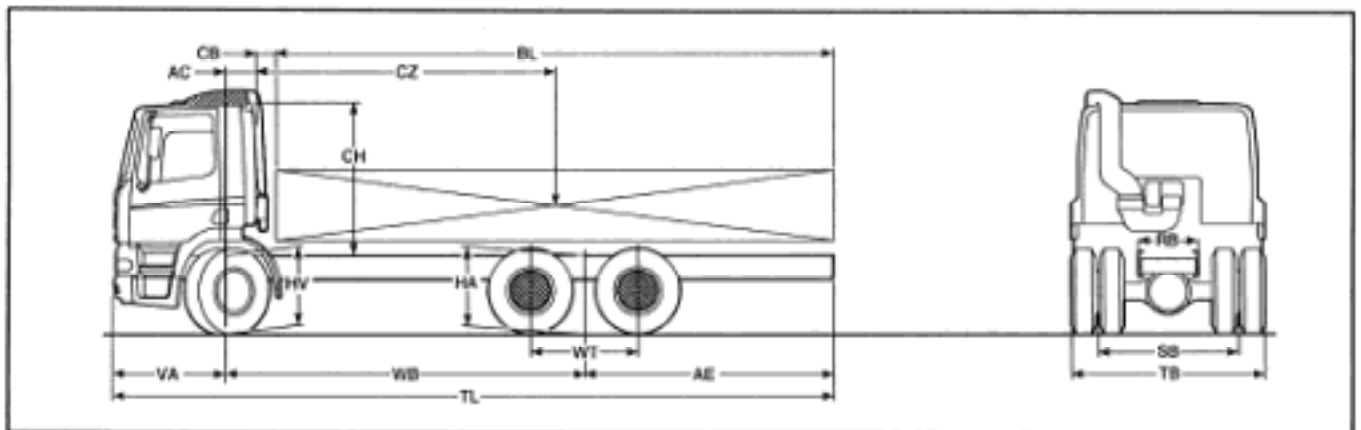
Model	Gross Vehicle Weight <sup>2)</sup>			Chassis and Cab Weight			Gross Carrying Capacity		
	front	rear	total	front	rear	total	front	rear	total
<b>Day Cab</b>									
FAT CF75 - LHD-455	7100	21000	27000	3905	4025	7930	3195	16975	19070
FAT CF75 - LHD-455	7100	21000	27000	3805	4210	8015	3295	16790	18985

Chassis and Cab Weight calculated with: F 230 tilt Day Cab with 4 coil spring suspension, PE 228 engine, 2x 140 Ah batteries, 16 S 151 gearbox, HR 1355T tandem axle with lockable differential, 156N front axle, 310 mm chassis height, parabolic type springs at front, trapezium springs at rear, shock absorbers and stabilizer at front, 340-litre steel fuel tank (empty), 295/80 R 22.5 tyres, drawbar cross member. All further equipment mentioned as standard.

Note: Chassis/cab weight with Sleeper Cab + 110 kg, with Space Cab + 180 kg. Plus and minus weights depending on cab and vehicle specification.

**Dimensions in metres**

WB	TL	VA	AE	AC	CB <sup>3)</sup>	BL <sup>4)</sup>	CH <sup>5)</sup>	HV <sup>6)</sup>	HA <sup>7)</sup>	WT	RB	SB	TB
<b>Day Cab</b>													
4.55	7.58	1.38	1.85	0.39	0.16	5.65	1.81	1.04	1.06	1.40	0.79	1.82	2.49
4.55	8.83	1.38	2.90	0.39	0.16	6.90	1.81	1.04	1.06	1.40	0.79	1.82	2.49



- 1) Restrictions due to legal regulations and area of application as well as drive line specification have not been taken into account.
- 2) Front axle load based on tyre load index (7100 / 12600 kg).
- 3) CB with cyclonic filter: 0.20 m, with vertical tailpipe: 0.24 m.
- 4) BL dimensions calculated on chassis dimensions. For exact body lengths refer to TOPEC calculation.
- 5) CH with air intake on cab roof: +0.14 m, with Space Cab: +0.68 m.
- 6) Laden height at centre of front axle.
- 7) Laden height at centre of rear axle.

