



# FA LF55 SERIES

## 4 X 2 RIGID

**Engine:** 170/180/220hp  
**BE 3.9/CE 5.9 litre**  
**Tyres:** 285/70R19.5  
**G.V.W. GB:** 14 tonnes  
**Plated Front:** 5600 kg  
**Plated Rear:** 9800 kg  
**G.C.M. GB:** 17.5 tonnes



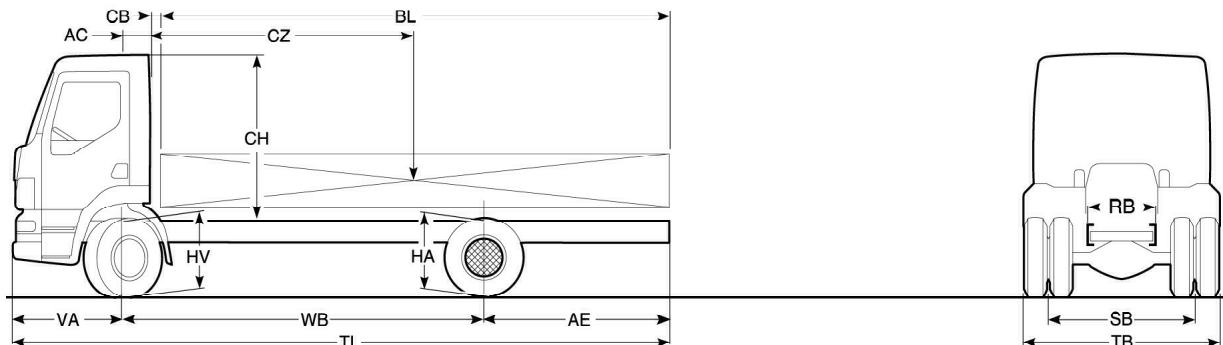
	Wheelbase - AE		Chassis and Cab Weights			Gross Carrying Capacity			Variable Dimensions							
	W/B	AE	Front	Rear	Total	Front	Rear	Total	AC	CB <sup>5</sup>	CH	BL <sup>4</sup>	TL	HA <sup>1</sup>	HA <sup>2</sup>	
Day cab	3.25	1.70	2770	1270	4040	2830	8530	9960	.28	.12	1.89	3.89	4.81	6.28	1.02	.92
	3.50	1.85	2760	1340	4100	2840	8460	9900	.28	.12	1.89	4.23	5.23	6.68	1.02	.92
	3.80	2.03	2770	1380	4150	2830	8420	9850	.28	.12	1.89	4.66	5.75	7.16	1.02	.92
	4.20	2.27	2770	1460	4230	2830	8340	9770	.28	.12	1.89	5.22	6.43	7.80	1.02	.92
	4.50	2.45	2770	1470	4240	2830	8330	9760	.28	.12	1.89	5.64	6.94	8.28	1.02	.92
	4.80	2.63	2780	1480	4260	2820	8320	9740	.28	.12	1.89	6.08	7.47	8.76	1.02	.92
	5.35	2.96	2780	1530	4310	2820	8270	9690	.28	.12	1.89	6.85	8.41	9.64	1.02	.92
	5.90	3.29	2790	1550	4340	2810	8250	9660	.28	.12	1.89	7.64	9.36	10.52	1.02	.92
	6.30	3.53	2800	1570	4370	2800	8230	9630	.28	.12	1.89	8.21	10.06	11.16	1.02	.92
Sleeper Cab	3.25	1.70	2920	1270	4190	2680	8530	9810	.68	.07	1.89	3.26	4.20	6.28	1.02	.92
	3.50	1.85	2910	1340	4250	2690	8460	9750	.68	.07	1.89	3.61	4.62	6.68	1.02	.92
	3.80	2.03	2910	1380	4290	2690	8420	9710	.68	.07	1.89	4.04	5.15	7.16	1.02	.92
	4.20	2.27	2920	1460	4380	2680	8340	9620	.68	.07	1.89	4.61	5.84	7.80	1.02	.92
	4.50	2.45	2920	1470	4390	2680	8330	9610	.68	.07	1.89	5.04	6.37	8.28	1.02	.92
	4.80	2.63	2930	1480	4410	2670	8320	9590	.68	.07	1.89	5.49	6.90	8.76	1.02	.92
	5.35	2.96	2930	1530	4460	2670	8270	9540	.68	.07	1.89	6.27	7.85	9.64	1.02	.92
	5.90	3.29	2940	1550	4490	2660	8250	9510	.68	.07	1.89	7.07	8.82	10.52	1.02	.92
	6.30	3.53	2950	1570	4520	2650	8230	9480	.68	.07	1.89	7.66	9.53	11.16	1.02	.92

Fixed dimensions VA: 1.33 HV: <sup>3</sup>.83 RB: .79 SB: 1.73 TB: 2.35

Chassis and Cab Weight calculated with: Standard specification items only with full tank of fuel, based on a 180hp model.

NOTE: For 170hp -120kg (engine) from the front axle.

THIS SPECIFICATION SHEET IS FOR PROVISIONAL PURPOSES ONLY!



- 1) Unladen height over centre of rear axle.
- 2) Laden height over centre of rear axle.
- 3) Laden height over centre of front axle.

- 4) For specific Body lengths consult TOPEC
- 5) CB dimension for 170hp day cab is 0.07m (7cm).

### Cab - Exterior

LF steel day cab with hydraulic tilt mechanism  
Aerodynamic design  
Bonded laminated windscreen  
Illuminated steps  
Steel front bumper  
Standard equipment includes:  
Rear window clear glass  
Corner air deflectors  
Cab prepared for roof spoiler fitment  
2 x Electrically heated rear view mirrors a wide angle and kerb mirror for bodies 2.5m-2.6m wide  
5 year corrosion warranty\*  
2 year paint warranty\*  
\* Subject to terms and conditions

### Cab - Interior

Ergonomic aesthetically designed cab interior  
Cruise control  
Driver and co-driver high back single rigid seats with seat belts  
Phone prepared (aerial and 12 volt connections)  
Driver and co-driver electrically operated windows  
Storage on engine tunnel, above windscreen, on the dash and cab rear wall  
Wrap round easy-clean dashboard  
Multi-functional Digital Information Panel (DIP)  
Exhaust brake (column controlled throttle off)  
RSL set at 85kmh  
Adjustable steering column  
24/12 volt converter of 15 Amp capacity

### Suspension

Front axle:  
Steel maintenance free parabolic spring with shock absorbers and anti-roll bar

Rear axle:  
Steel maintenance free parabolic spring with shock absorbers and anti-roll bar

Front axle:  
DAF F60 "I" section rigid beam  
Design gross 6000kg

Rear axle:  
DAF SR10.20 single reduction drive axle  
Design gross 10500kg

### Wheels and Tyres

Front axle 7.50 x 19.5 8 stud wheels with 285/70R19.5 tyres with highway tread

Rear axle 7.50 x 19.5 8 stud wheels with 285/70R19.5 tyres with traction tread

### Engine

PACCAR 3.9 and \*5.9 litre Euro 3  
Electronically controlled engine with common rail injection system  
Max power 167hp (123kW) at 2500 rpm  
\*185/220hp (136/162kW) at 2500 rpm

Max torque 600Nm at 1200-1600 rpm  
\*700/820Nm at 1200-1700 rpm

### Gearbox

Type: ZF 6S850 six speed gearbox  
Gear ratios:  
1st 6.72:1 Top 0.79:1 Reverse 6.03:1

### Clutch

Single dry plate clutch 362mm diameter. 4 cylinder engine  
Single dry plate clutch 395mm diameter. 6 cylinder engine

### Performance

	Rear axle ratio	Governed engine speed rpm	Max geared speed mph	Max. restart gradient
170hp	4.56:1	2500	71	29%*
180hp	4.56:1	2500	71	30%+*
220hp	4.56:1	2500	71	30%+*

\*Gradeability may be limited by tyre adhesion.

### Brake System

DAF full air disc brakes all round including ABS.  
225cc compressor delivering 330 l/min  
Heated air processing unit and exhaust brake.

### Frame

Completely flat topped frame of riveted and bolted construction and body attachment mountings.

Chassis member dimensions 260mm x 75mm x 6mm  
Chassis width rear: 790mm  
Bumper: steel construction  
Front towing facility: chassis located x 2

### Steering

Hydraulic power assisted with a 52 degree lock angle.

Turning circle kerb-kerb (wall-wall)				
3.25m WB	11.10m	(12.60m)	4.80m WB	14.80m (16.50m)
3.50m WB	11.70m	(13.20m)	5.35m WB	16.30m (17.90m)
3.80m WB	12.40m	(14.00m)	5.90m WB	17.60m (19.30m)
4.20m WB	13.40m	(15.00m)	6.30m WB	18.60m (20.30m)
4.50m WB	14.10m	(15.80m)		

### Electrical Equipment

Fully coded 24 volt CAN based system and hard wiring  
80 Amp alternator  
2 x 125 Ah deep cycle batteries  
Rear light cluster includes:  
rearlights, stop lights, indicators, reverse and fog lights, and reflectors  
Provision for side and end marker lamps.

### General Equipment

Cab rear window  
Single 150 litre steel fuel tank  
Cruise control  
Single high back seats with seat belts  
Exhaust brake  
Front axle spray suppression  
Lockable fuel cap  
Silver wheels  
Cab tilt bar and wheelbrace

### Optional Equipment

Hazard beacons  
Driver air bag (N/A until late 2001)  
Driver air or luxury seat  
Co-driver dual or luxury dual  
Audio equipment  
CB preparation  
Central door locking with remote control  
Heated front windscreen  
Air conditioning  
ECAS rear air suspension  
170 Ah batteries  
Diff lock  
Front PTO facility  
Various fuel tanks  
Drawbar package  
Tipper package

Sleeper cab:  
Appointment as per day cab but includes: 3 large underbunk storage compartments  
2m long single piece bed and provision for optional night heater.

The availability and specification of this vehicle may differ per country.  
For further information please contact the DAF organisation.

Subject to modification without prior notice